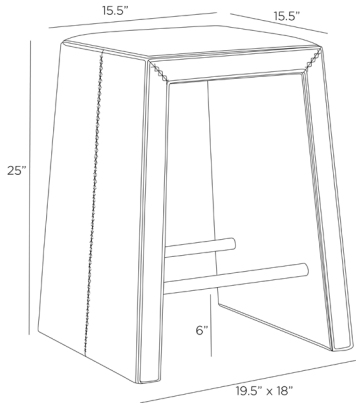


ARTERIOS

COWAN COUNTER STOOL



FS113
H: 25 IN, W: 19.5 IN, D: 18 IN
White Hair on Hide
Contract Suitable As Is

Crafted of white hair-on-hide, this backless counter stool is a tactile delight. A mitered whipstitch creates a racing stripe down the center of each side, while slim antique brass bridges add contrast and support to this minimal design. Hide will vary.

APPEARANCE

Material	Brass, Hide
Finish	Antique Brass
Finish Will Vary	true
Top Coat/Sealant	true
Textile Contract Suitability	High Traffic/Public Spaces

DIMENSIONS

Foot Print	W: 19.5 IN, D: 18 IN
Leg	W: 2.5, D: 18
Seat Cushion Thickness	3 IN
Seat	W: 15.5 IN, D: 15.5 IN
Seat Height	25 IN
Seat	W: 15.5 IN, D: 15.5 IN
Clearance	6"
Diagonal Dimension	32 IN

SHIPPING

Product Weight	27 LBS
Gross Weight 1	38.04 LBS
Shipping Box 1	H: 22 IN, L: 18 IN, W: 27.5 IN

ADDITIONAL INFO

Disclaimers	As a natural hide, each piece will vary and no two are alike.
Leg Or Foot Application	Glides
Fabric Compliancy	NFPA-260, TB117-2013
Fabric Rub Count	N/A
Swatch Number	T29SW
Fabric Cleaning Code	S - dry clean only
Fabric Content	100% Leather

CONTRACT

Contract Suitable	true
Fabric Composition	100% Leather