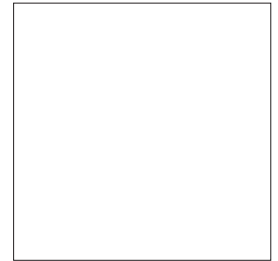
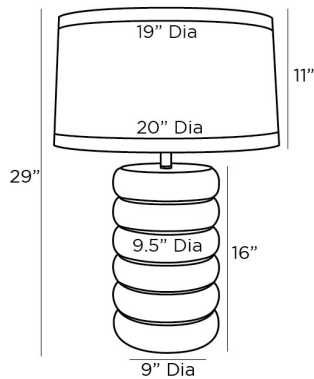


# ARTERIOS

## RAMBO LAMP



49542-692  
 H: 29 IN, Dia: 20.00 IN  
 Matte Black Terracotta  
 Contract Suitable As Is

Rendered in a stacked drum silhouette, the Rambo lamp is a modern, stylized accent piece. The table lamp is created in matte black resin with a matching stacked resin finial and is topped with a drum shade in off-white microfiber, lined in off-white cotton.

### APPEARANCE

Material Cotton, Microfiber, Resin, Steel  
 Finish Antique Brass, Matte Black, Off-White  
 Top Coat/Sealant true  
 Finial Description Resin to match  
 Finial Dimension 1x2

### DIMENSIONS

Shade Top: 19.00 IN, Dia: 20.00 IN, Side: 11 IN  
 Body H: 16 IN, Dia: 9.50 IN  
 Neck H: 3 IN, Dia: 1.00 IN  
 Foot Print Dia: 9.00 IN  
 Harp 9" Brass IN

### WIRING

Rating Indoor Only  
 Tilt Test 10 Degrees - AU  
 Cord 10 FT, Back of Lamp Base, Black Cloth, SPT-2  
 Socket 1, Brass, Type A - E26  
 Switch 3-Way Rotary, At Socket  
 Maximum Watt 150  
 Voltage 110-120 V

### CERTIFICATIONS

Certifications Mexico  
 Australia, United Arab Emirates,  
 United Kingdom, United States,  
 Canada

### COMPLIANCY

UL/ETL Yes  
 CB Yes  
 RoHS true

### SHIPPING

Product Weight 32 LBS  
 Gross Weight 1 36 LBS  
 Gross Weight 2 5 LBS  
 Shipping Box 1 H: 14.63 IN, L: 14.63 IN, W: 27.13 IN  
 Shipping Box 2 H: 13 IN, L: 22 IN, W: 22 IN

### ADDITIONAL INFO

Shade Shape Round  
 Shade Trim Rolled Edges  
 Shade Type Hardback

### REPLACEMENT PARTS

Replacement Part 1 49542FIN  
 Replacement Part 1 Dim 1x2

### CONTRACT

Contract Suitable true