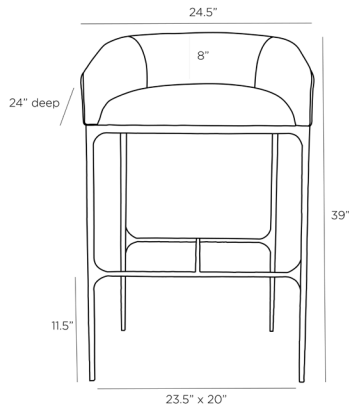


ARTERIOS

OSBOURNE BAR STOOL



2096
H: 39 IN, W: 24.5 IN, D: 24 IN
Russet Leather
Contract Suitable As Is

A hammered iron frame and handsome russet leather make this bar stool ultra-chic. The low, barrel-style shape gives lumbar comfort and support while allowing the stool to tuck neatly under a bar or counter-top. Its modern style brings sophistication and polish to a space. Leather and finish will vary.

APPEARANCE

Material	Iron, Leather
Material Type	Hammered
Finish	Blackened Iron, Russet
Finish Will Vary	true
Top Coat/Sealant	false
Textile Contract Suitability	High Traffic/Public Spaces

DIMENSIONS

Arm	H: 36.5 IN, W: 4.5 IN, D: 18 IN
Foot Print	W: 23.5 IN, D: 20 IN
Leg	H: 18 IN
Seat Back	H: 8 IN
Seat Cushion Thickness	4 IN
Seat	W: 15 IN, D: 18 IN
Seat Height	32 IN
Seat	W: 15 IN, D: 18 IN
Clearance	11.5"
Diagonal Dimension	46 IN

SHIPPING

Shipping Requirements	TruckShip
Product Weight	47.4 LBS
Gross Weight 1	59.52 LBS
Shipping Box 1	H: 41.34 IN, L: 22.83 IN, W: 25.6 IN

ADDITIONAL INFO

Leg Or Foot Application	None
Fabric Compliancy	NFPA-260, TB117-2013
Fabric Rub Count	N/A
Swatch Number	T36SW
Fabric Cleaning Code	S - dry clean only
Fabric Content	100% Leather
Yardage To Reupholster	27 Square Feet 1.5 Yards

CONTRACT

Contract Suitable	true
Fabric Composition	100% Leather