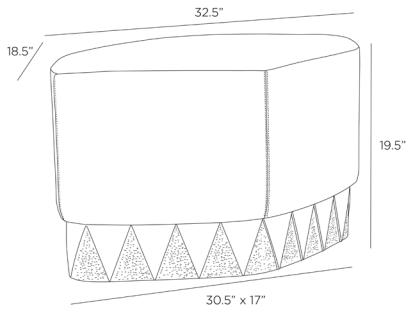


ARTERIOS

DUVALL OTTOMAN



FOI12
H: 19.5 IN, W: 32.5 IN, D: 18.5 IN
Slate Grey Suede
Contract Suitable As Is

We took a cue from the lines of Art Deco architecture for a rhombus-shaped ottoman of lush slate grey suede. Poised on a folded antique brass base, its muscular details and dimpled diamond texture recall the fine craftsmanship found in armor. Designed with soft corners to display horizontally or in a pair. Suede will vary.

APPEARANCE

Material	Brass, Suede
Finish	Antique Brass
Finish Will Vary	true
Top Coat/Sealant	true
Textile Contract Suitability	High Traffic/Public Spaces

DIMENSIONS

Foot Print	W: 30.5 IN, D: 17 IN
Diagonal Dimension	27 IN
Seat Cushion Thickness	13.5 IN

SHIPPING

Product Weight	28.3 LBS
Gross Weight 1	38.81 LBS
Shipping Box 1	H: 35.4 IN, L: 21.25 IN, W: 21.25 IN

ADDITIONAL INFO

Disclaimers	Due to the hand dyed suede, there will be varinaces from lot to lot. The gray suede can be more green or blue depending on the lot.
Fabric Compliancy	NFPA-260, TB117-2013
Fabric Rub Count	N/A
Fabric Cleaning Code	S - dry clean only
Fabric Content	100% Leather
Yardage To Reupholster	1.25 Yards

CONTRACT

Contract Suitable	true
Fabric Composition	100% Leather