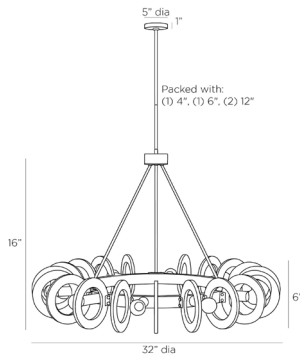


# ARTERIOS

## TRINA CHANDELIER



DMC06  
H: 21 IN, Dia: 32.00 IN  
Clear Seedy  
Contract Suitable As Is

Dynamic and inspired, the Trina chandelier infuses bold style into any room. With a design resembling a jewelry bangle, the playful pendant is fashioned with hoops of clear seedy glass and exposed bulbs that surround a circular framework of antique brass iron, creating rhythm and repetition. Finish will vary. Damp-rated, although limited covered outdoor conditions may affect finish.

### APPEARANCE

Material	Glass, Iron
Finish	Antique Brass
Finish Will Vary	true
Top Coat/Sealant	false

### DIMENSIONS

Chandelier	H: 16 IN, Dia: 32.00 IN
Minimum Hanging Height	21 IN
Maximum Hanging Height	51 IN
Canopy	H: 1 IN, Dia: 5.00 IN

### WIRING

Rating	Damp
Cord	7 FT, Black/White, SVT
Socket	10, Type B - E12
Photographed Bulb	2" Clear Globe Bulb
Maximum Watt	60
Voltage	110-120 V

### CERTIFICATIONS

Certifications	Mexico Australia, European Union, United Arab Emirates, United States, Canada
----------------	--

### COMPLIANCY

UL/ETL	Yes
CB	Yes
RoHS	true

### SHIPPING

Product Weight	24 LBS
Gross Weight 1	32.5 LBS
Gross Weight 2	0 LBS
Shipping Box 1	H: 27.6 IN, L: 27.6 IN, W: 10.8 IN
Shipping Box 2	H: 0 IN, L: 0 IN, W: 0 IN

### REPLACEMENT PARTS

Replacement Part 1	PIPE-513
Replacement Part 1 Dim	(1) 4", (1) 6", (1) 12"
Replacement Part 2	CANOPY-553
Replacement Part 2 Dim	1" x 5"

### CONTRACT

Contract Suitable	true
-------------------	------