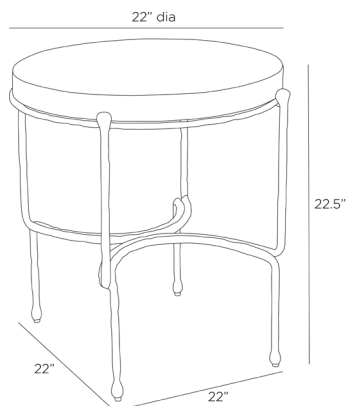


# ARTERIOS

## CEDRICK END TABLE



FEI24

H: 22.5 IN, Dia: 22.00 IN

Blackened Iron

Contract Recommendations: Natural stone requires periodic sealing

All intersecting lines and flowing forms, the Cedric is a nod to a traditional silhouette updated in fresh materials. A hammered u-shaped base of blackened iron juxtaposes an over-scaled toronto leathered marble top. Finish will vary.

### APPEARANCE

Material	Iron, Marble
Material Type	Leathered
Finish	Blackened Iron
Finish Will Vary	true
Top Coat/Sealant	true

### DIMENSIONS

Foot Print	20 IN
Leg	W: 22 IN, D: 22 IN
Table Top	H: 21.5 IN, W: 1.5, D: 1
Clearance	H: 2 IN, Dia: 20.00 IN
Diagonal Dimension	8.5"
	31.5 IN

### SHIPPING

Shipping Requirements	TruckShip
Product Weight	78.1 LBS
Gross Weight 1	24.26 LBS
Gross Weight 2	70.12 LBS
Shipping Box 1	H: 23 IN, L: 23 IN, W: 25 IN
Shipping Box 2	H: 24.5 IN, L: 24.5 IN, W: 5.5 IN

### CONTRACT

Contract Suitable	Natural stone requires periodic sealing
-------------------	---