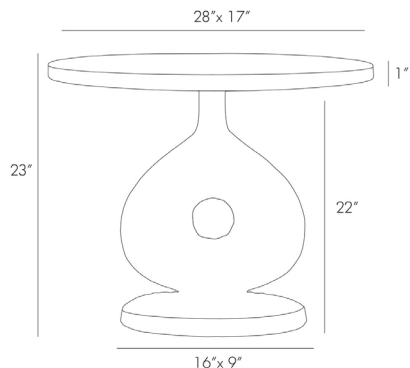


# ARTERIOS

## SETH END TABLE



2602

H: 23 IN, W: 28 IN, D: 17 IN

Antique Bronze

Contract Recommendations: Adding a lacquer coating provides additional protection

The dichotomy of the heavily textured, cast aluminum base and elegant antique brass top adds to the visual interest of this unique design. Place it between two chairs so you can show off the oval shape and striking dark bronze finish of the base.

### APPEARANCE

Material	Aluminum, Iron
Material Type	Cast
Finish	Antique Brass
Top Coat/Sealant	false

### DIMENSIONS

Foot Print	W: 16 IN, D: 9 IN
Table Top	H: 1 IN, W: 28 IN, D: 17 IN
Clearance	22

### SHIPPING

Product Weight	40 LBS
Gross Weight 1	51.2 LBS
Shipping Box 1	H: 30 IN, L: 20 IN, W: 18 IN

### ADDITIONAL INFO

Features	Assembly Required
----------	-------------------

### CONTRACT

Contract Suitable	Hardware will need to be occasionally tightened. Adding a lacquer coating provides additional protection
-------------------	---