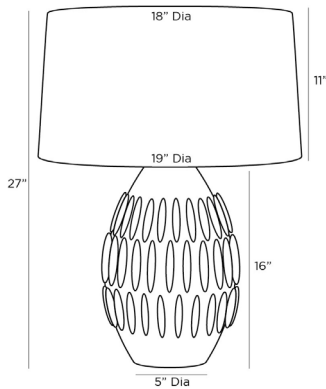


ARTERIOS

PAWNEE LAMP



17800-683
 H: 27 IN, Dia: 19.00 IN
 Laurel Reactive Ceramic
 Contract Suitable As Is

With botanic, seed-pod inspiration, the Pawnee lamp is created in porcelain, with hand-applied clay embellishments, and finished in laurel reactive glaze. The texture-rich table lamp is detailed with an antique brass finial and an ash microfiber drum shade lined in off-white cotton. Finish will vary.

APPEARANCE

Material	Ceramic, Cotton, Microfiber, Steel
Finish	Antique Brass, Ash, Laurel Reactive, Off-White
Finish Will Vary	true
Top Coat/Sealant	false
Finial Description	Antique Brass Sphere
Finial Dimension	1" Sphere

DIMENSIONS

Shade	Top: 18.00 IN, Dia: 19.00 IN, Side: 11 IN
Body	H: 16 IN, Dia: 11.50 IN
Neck	H: 1 IN, Dia: 1.00 IN
Foot Print	Dia: 5.00 IN
Harp	9" Brass IN

WIRING

Rating	Indoor Only
Tilt Test	10 Degrees - AU
Cord	10 FT, Back of Lamp Base, Clear/Silver, SPT-2
Socket	1, Brass, Type A - E26
Switch	3-Way Rotary, At Socket
Maximum Watt	150
Voltage	110-120 V

CERTIFICATIONS

Certifications	Mexico Australia, United Arab Emirates, United Kingdom, United States, Canada
----------------	--

COMPLIANCY

UL/ETL	Yes
CB	Yes
RoHS	true

SHIPPING

Product Weight	12 LBS
Gross Weight 1	14 LBS
Gross Weight 2	5 LBS
Shipping Box 1	H: 20 IN, L: 14 IN, W: 23.5 IN
Shipping Box 2	H: 12 IN, L: 20 IN, W: 20 IN

ADDITIONAL INFO

Shade Shape	Round
Shade Trim	Rolled Edges
Shade Type	Hardback

REPLACEMENT PARTS

Replacement Part 1	81002
Replacement Part 1 Dim	1" Sphere

CONTRACT

Contract Suitable	true
-------------------	------