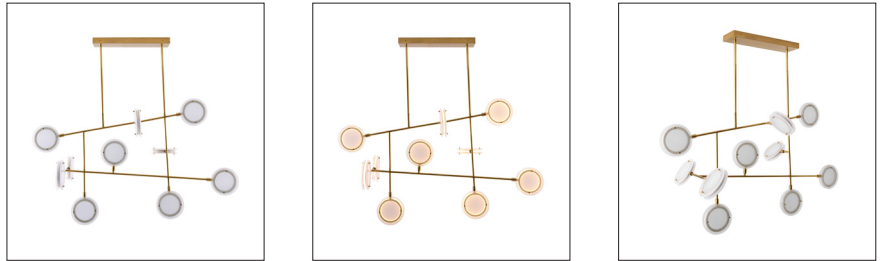
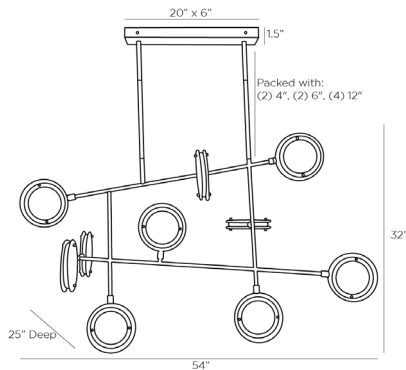


ARTERIOS

MERIDIAN PENDANT



89488

H: 38 IN, W: 54 IN, D: 25 IN

Antique Brass, Clear Seedy Glass

Contract Suitable As Is

The Meridian finds modern design inspiration in mobile sculptures. The linear silhouette of this chandelier is crafted from antique brass iron and features discs of clear seedy slump glass at varying heights, each encased with an integrated LED ring. The discs pivot, allowing you to alter the direction of light flow when desired. Finish will vary. Additional pipe available (PIPE-492). Damp-rated, although limited covered outdoor areas may affect finish.

APPEARANCE

Material	Iron, Slump Glass
Material Type	Seedy
Finish	Antique Brass, Clear
Finish Will Vary	true
Top Coat/Sealant	true

DIMENSIONS

Pendant	H: 32 IN, W: 54 IN, D: 25 IN
Minimum Hanging Height	38 IN
Maximum Hanging Height	68 IN
Canopy	H: 1.5 IN, W: 20 IN, D: 6 IN

WIRING

Rating	Damp
LED Color Temp	3000K
LED CRI	90+
LED Compatible Dimmer	0-10 V Dimmer
LED Lumens	8730
Cord	7 FT, Clear/Silver, SVT
Socket	10, Integrated LED
Maximum Watt	80
Voltage	110-120 V
LED Lifespan	20,000

CERTIFICATIONS

Certifications	Mexico Australia, European Union, United Arab Emirates, United States, Canada
----------------	--

COMPLIANCY

UL/ETL	Yes
CB	Yes
RoHS	true

SHIPPING

Product Weight	34.5 LBS
Gross Weight 1	50 LBS
Shipping Box 1	H: 27.6 IN, L: 56.3 IN, W: 36.3 IN
Shipping Box 2	H: 0 IN, L: 0 IN, W: 0 IN
Shipping Box 3	H: 0

REPLACEMENT PARTS

Replacement Part 1	PIPE-492
Replacement Part 1 Dim	(1) 4", (1) 6", (1) 12"

CONTRACT

Contract Suitable	true
-------------------	------