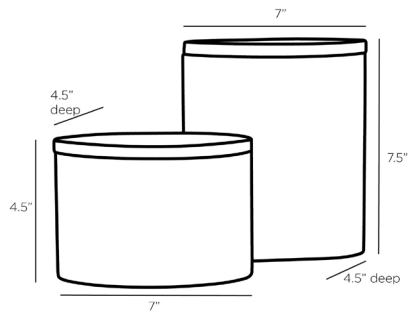


# ARTERIOURS

## HOLLIE OVAL CONTAINERS, SET OF 2



ARS03

Black and White  
Contract Suitable As Is

The Hollie containers explore the concept of yin and yang by reversing color. A high-contrast combination of black and white sweep the resin vessels, each with its own distinct pattern. The pair of oval containers is sure to stun in any space. Finish will vary.

### APPEARANCE

Material  
Finish Will Vary  
Top Coat/Sealant

Resin  
true  
false

### DIMENSIONS

Foot Print Large  
Foot Print Small  
Opening

W: 7 IN, D: 4.5 IN  
W: 7 IN, D: 4.5 IN  
W: 6, D: 3.5

### SHIPPING

Product Weight 5 LBS  
Gross Weight 1 9.92 LBS  
Shipping Box 1 H: 11.8 IN, L: 11.8 IN, W: 11.8 IN

### CONTRACT

Contract Suitable true