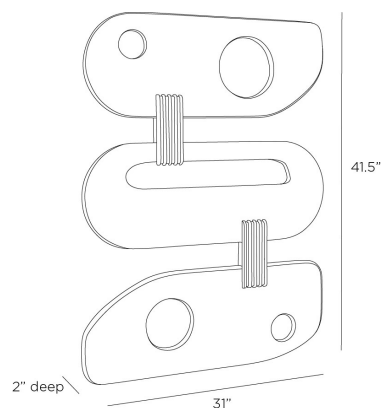


ARTERIOS

EBBER PLAQUE



WPI03
H: 41.5 IN, W: 31 IN, D: 2 IN
Sable
Contract Suitable As Is

The clean lines and cellular cutouts of mid-'60s design lend a mod effect to our sable wood wall plaque. This three-paneled style is accented with contrasting blonde wood clasps for visual interest. Designed to be displayed vertically or horizontally, it is secured with a 12" cleat at the back. Finish will vary.

APPEARANCE

Material	Wood
Finish	Blonde
Finish Will Vary	true
Top Coat/Sealant	false

SHIPPING

Product Weight	22.7 LBS
Gross Weight 1	42 LBS
Shipping Box 1	H: 44.88 IN, L: 33.07 IN, W: 4.72 IN

ADDITIONAL INFO

Hanger Position	Vertical & Horizontal
Hanger Type	Security Cleat
Hanger Size	12"

CONTRACT

Contract Suitable	true
-------------------	------