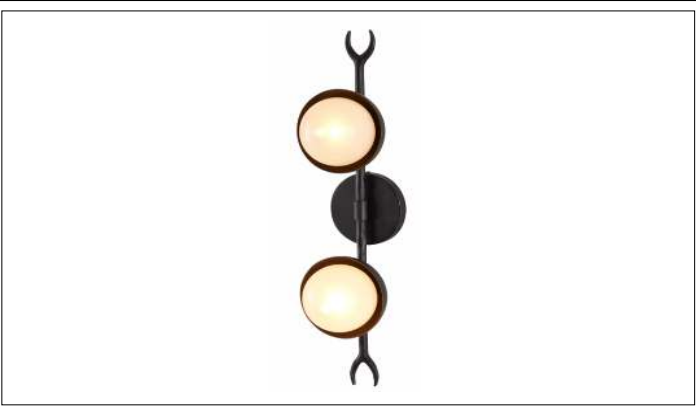


# ASSEMBLY INSTRUCTIONS

## ITEM DESCRIPTION:

ITEM NO.: DWI18	NAME: Churchill Sconce
MATERIAL TYPE: Iron	FINISH: Blackened Iron
SOCKET TYPE: E12 TYPE B	SOCKET QTY: 02
BULB WATTAGE: 25 W/7W CFL/5W LED	
VOLTAGE: 125V	ITEM NET WEIGHT: 7.5 LBS



## PARTS INCLUDED:

Mounting Plate	Qty:	1
Back Plate	Qty:	1
Glass Globe	Qty:	2

## HARDWARE INCLUDED:

Mounting Screws	Qty:	02
Plastic Wire Connector	Qty:	02
Canopy Screw	Qty:	03

## TOOLS NEEDED (Not Included):

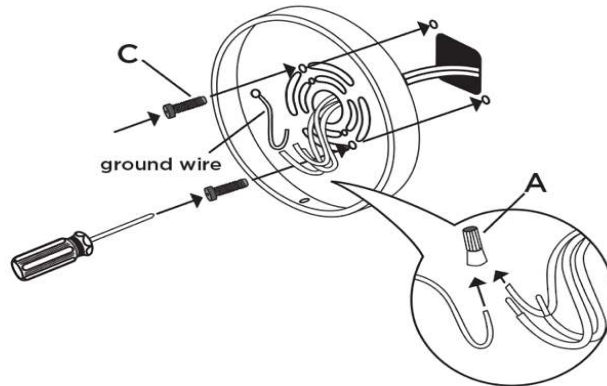
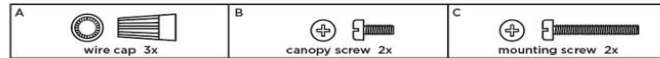
1 Philip Screwdriver
----------------------

These instructions are provided for safety. It is very important that they are read carefully and completely before beginning installation.

We strongly suggest that all hard-wired fixtures must be installed by a professional electrician.

## TO ASSEMBLE:

1. Shut off the main electrical supply from the main fuse box/circuit breaker.
2. Attach mounting plate to wall or junction box using mounting screws (C).
3. Connect ground wire from wall to ground wire from lamp using wire caps (A).
4. Attach house wire to lamp wires as shown. Fasten the pairs together with a wire caps. **DO NOT REVERSE THE HOT AND NEUTRAL CONNECTIONS OR SAFETY WILL BE COMPROMISED.**
5. Attach front face of light to back plate by inserting canopy screws (B) through predrilled holes in front face and into back plate as shown. Tighten using screwdriver.
6. Tighten the Glass Globe on to the metal Frame one by one
7. Insert **(2) TYPE B 25W BULB / 7W SBCFL / 5 W SBLED** (not included) into the socket. **DO NOT EXCEED SPECIFIED WATTAGE**
8. Restore power to junction box and test fixture.



## CARE INSTRUCTIONS:

Wipe with a soft, dry cloth. To protect finish, avoid the use of chemicals and household cleaners.

For customer service questions call 1-800-338-2150

A R T E R I O R S